

Automated Pre-Column Derivatization System

Table 32-5. APDS Parts

Item	Description	Part Number
1	Micro-oven Assembly	79848-66901
2	Micro-oven Controller	79848-66902
3	Controller Mounting Plate <i>Series I</i>	79848-04101
	Controller Mounting Plate <i>Series II</i>	79847-04104
4	Remote Control Cable	79848-61610
5	Not-ready Cable	79848-61609
6	Power Supply Cable	79848-61608

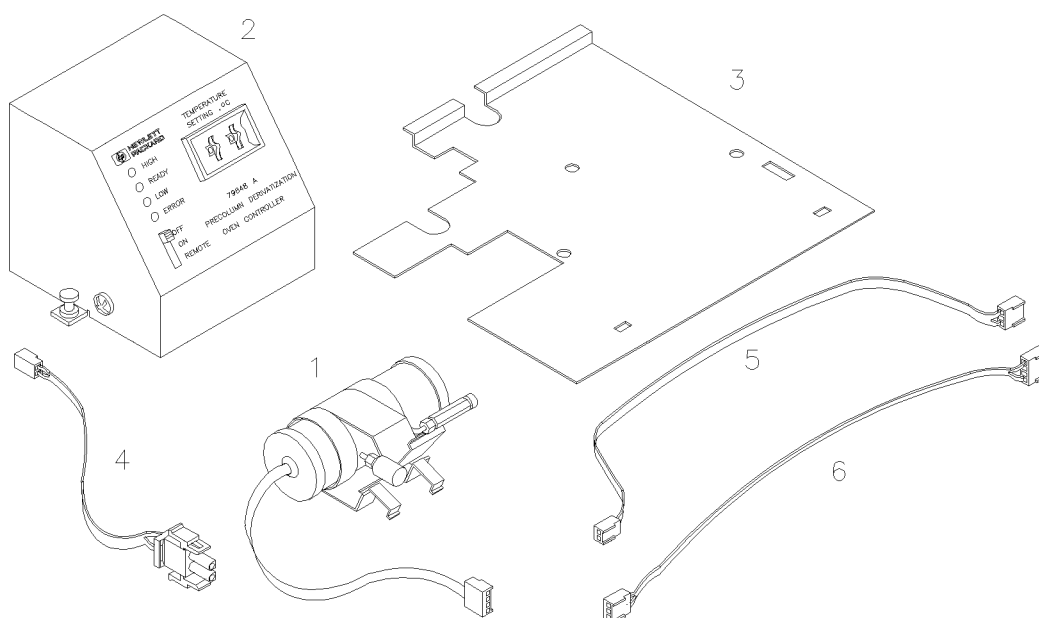


Figure 32-6. APDS Parts